

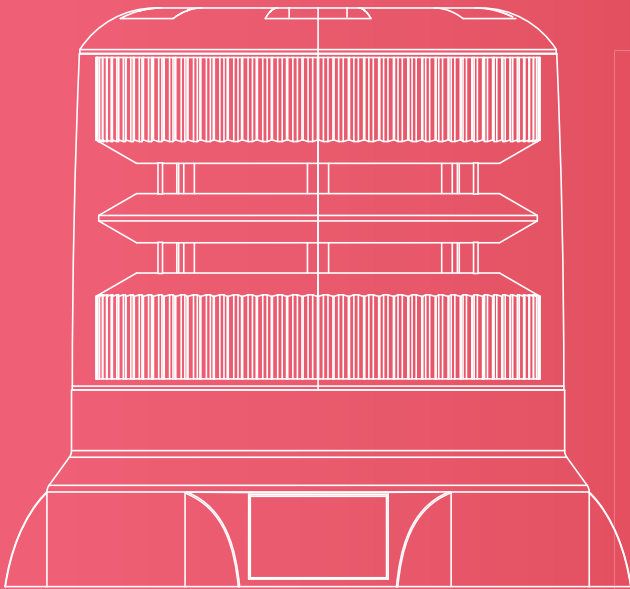


BEACONS

1

BEACONS

2	WDBL-90R35 Series
3	WDBL-90R75 Series



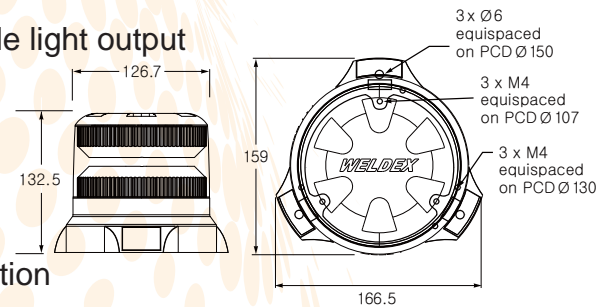
Beacons

MODEL : WDBL-90R35 Series



Input Voltage	10~36V DC
Wattage	36 Watt max
Operating Temperature	- 20°C~50°C
IP Rating	IP6K7
Weight	920(g)
LED Color	White
LED Lifetime	50,000
Vibration Rating	200G
Frequency Rotating	80 cycles/min
Flash	72 fpm(quad)

- Rotating & Flashing Function
- Modular system of circular LED discs for intense, 360 visible light output
- Brilliant clear, high impact resistant PC lens system
- Heavy-duty cast alloy base and cap
increased mechanical strength and vibration resistance
- Multi-stage paint coating for optical corrosion and UV protection
- Fully sealed and pre-wired to prevent ingress of dirt and moisture
- 200G shock resistant
- Low EMC signature
- Low current draw
- ECE R65 Certification



Amber PC Lens



Red PC Lens



Blue PC Lens



Clear PC Lens

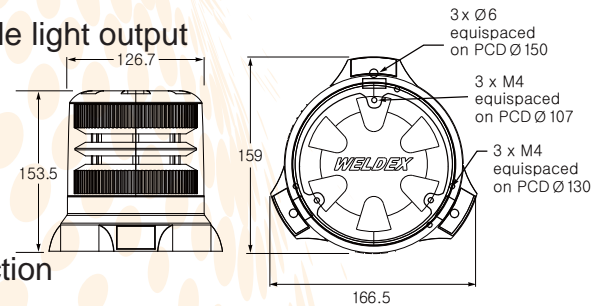
Beacons

MODEL : WDBL-90R75 Series



Input Voltage	10~36V DC
Wattage	75W
Operating Temperature	- 20°C~50°C
IP Rating	IP6K7
Weight	1.8(Kg)
LED Color	White
LED Lifetime	50,000
Vibration Rating	200G
Frequency Rotating	80 cycles/min
Flash	72 fpm(quad)

- Rotating and flashing function
- Modular system of circular LED discs for intense, 360 visible light output
- Brilliant clear, high impact resistant PC lens system
- Heavy-duty cast alloy base and cap
increased mechanical strength and vibration resistance
- Multi-stage paint coating for optical corrosion and UV protection
- Fully sealed and pre-wired to prevent ingress of dirt and moisture
- 200G shock resistant
- Low EMC signature
- Low current draw
- ECE R65 Certification



Amber PC Lens Red PC Lens Blue PC Lens White PC Lens

