

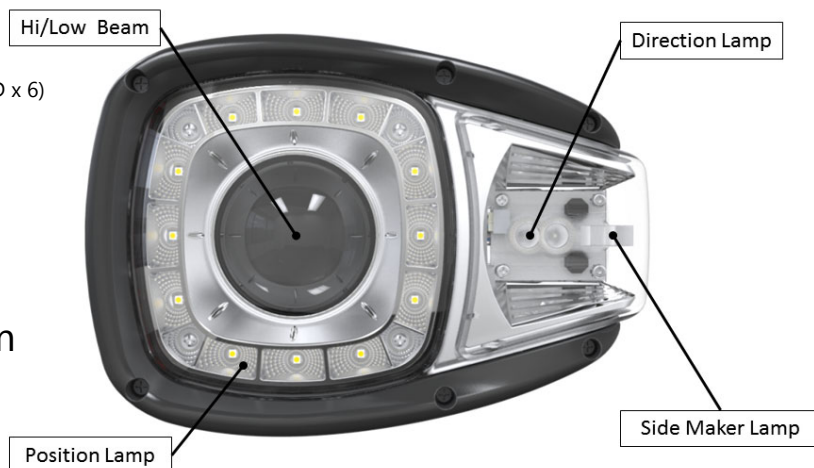
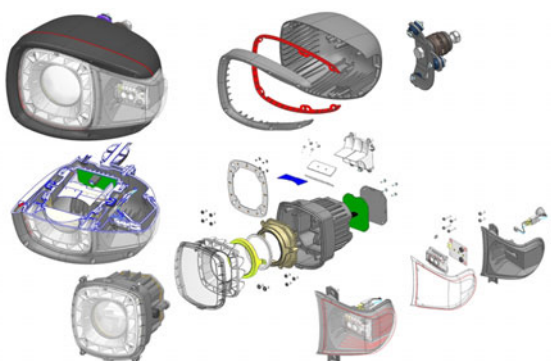
Weldex Head Lamp

LED
Head Lamp
with turn signal

- **Ideal for:**
 - Custom head lamp replacement
 - Endurance racing
 - Retrofit
- **Features:**
 - Projector type lamp
 - High and low beam function and position, direction, side marker lamp in head light
 - ECE R112.00 head lamp compliant / ECE R7.02 position lamp compliant
 - ECE R91.00 side maker compliant / ECE R6.01 directional lamp compliant
- **Single lamp includes:**
 - Lamp with high power LED and adjuster screws
 - Universal bracket, control unit and mounting instructions
- **Multi voltage:**
 - 12V and 24V

SPECIFICATION/

- **Input voltage**
DC9 ~ 36V
- **Current consumption**
Low / high : 1.87A / 3.7A
Direction / side marker: 0.5A / 0.2A
- **Power in watt**
Low beam 22W (7.5W LED x 3) / High beam 45W (7.5W LED x 6)
Position 2.4W (0.2W LED x 12) / Direction 6W (3W LED x 2)
/ Side marker 3W (3W LED x 1)
- **Operating temperature**
-40°C ~ +125°C
- **Lumens**
Low beam 1600lm / High beam 3200lm
- **LED life cycle**
50,000 Hours



WDHL-2S11CL

Dimensions (mm)

230(W) x 160(H) x 168(D)

weldex.com
oem@weldex.com
Tel: (714) 761-2100 [USA]
Fax: (714) 761-3811 [USA]
Tel: +49 (0)2102 528 2803 [GER]
Fax: +49 (0)2102 528 2804 [GER]

© 2014 Weldex
6751 Katella Avenue, Cypress, CA 90630 [USA]
Broichhof Strasse 5 D-40880 Ratingen, Germany [GER]

WELDEX