

Weldex LED Beacons



75 W

1.8Kg



9 to 36 VDC

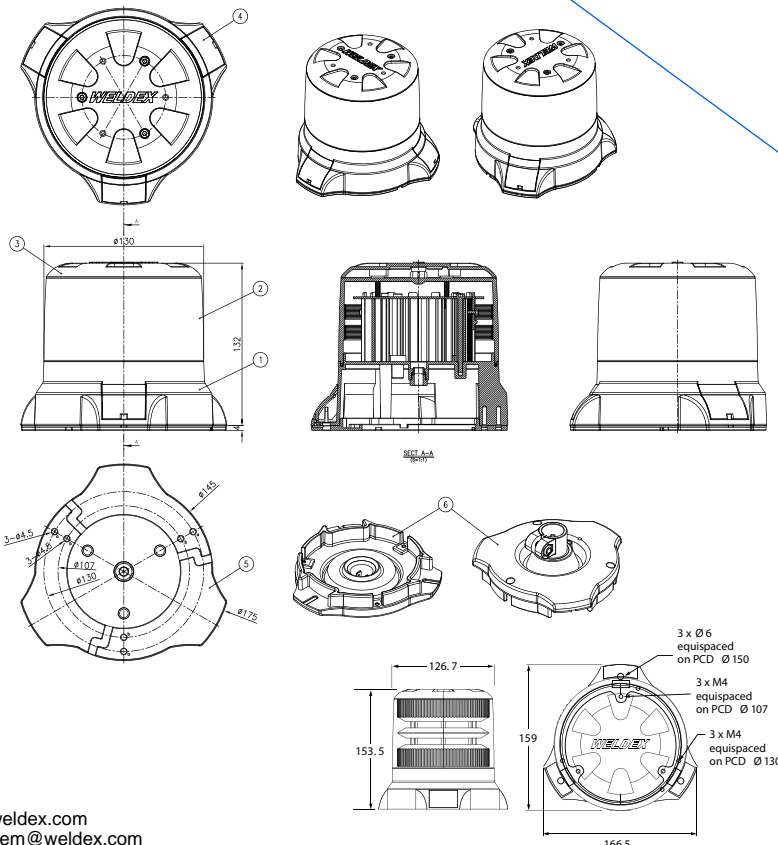
60G

IP69K

WDBL-90R75

- Class 1 daylight visible
- Both rotating and flashing functionality
- Intense 360 visible light output
- High quality, impact-resistant lens
- Heavy-duty cast alloy base cap increased mechanical strength and vibration resistance
- Multi-stage paint coating for corrosion UV protection
- Fully sealed and pre-wired to prevent ingress of dirt and moisture
- 60g shock resistant
- Low EMC signature / low current draw / ECE R65 certification

Flashing
&
Rotating



SPECIFICATION

Input voltage
DC9V ~ 36V

Wattage
Max.75W

Operating temp.
-20°C ~ +85°C

IP rating
IP69K

Weight
1.8Kg

Size
126.7(W) x 153.5(H)

LED lifetime
50,000 Hours

Vibration rating
60G

Frequency rotating
80 Cycles/min.

Flash
72fpm (Quad)

LED color
White(2700K)

weldex.com
oem@weldex.com
Tel: (714) 761-2100 [USA]
Fax: (714) 761-3811 [USA]
Tel: +49 (0)2102 528 2803 [GER]
Fax: +49 (0)2102 528 2804 [GER]

© 2014 Weldex
6751 Katella Avenue, Cypress, CA 90630 [USA]
Broichhof Strasse 5 D-40880 Ratingen, Germany [GER]

WELDEX